

EBM 10/12

Elastomer BuOys



These elastomer buOys are designed to be used during work periods, danger marking, emergency buOys or in shallow waters.


Thanks to its solid construction, they are virtually unsinkable, even against a strong impact. Besides, they can withstand repeated collisions without deforming.

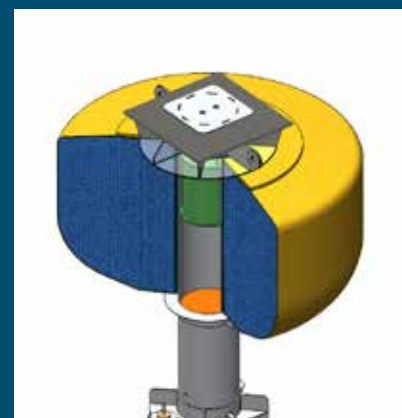
Its main advantage lies in its float, of high elasticity and lightweight, manufactured with closed-cell polyethylene solid foam sheet (no water absorption) and projected with a layer of coloured polyurethane elastomer.

Metallic parts of the buoy (superstructure and tail) are made from hot-dip galvanized steel, and designed to a long service life under harsh marine conditions.

They can be customized under client's request.

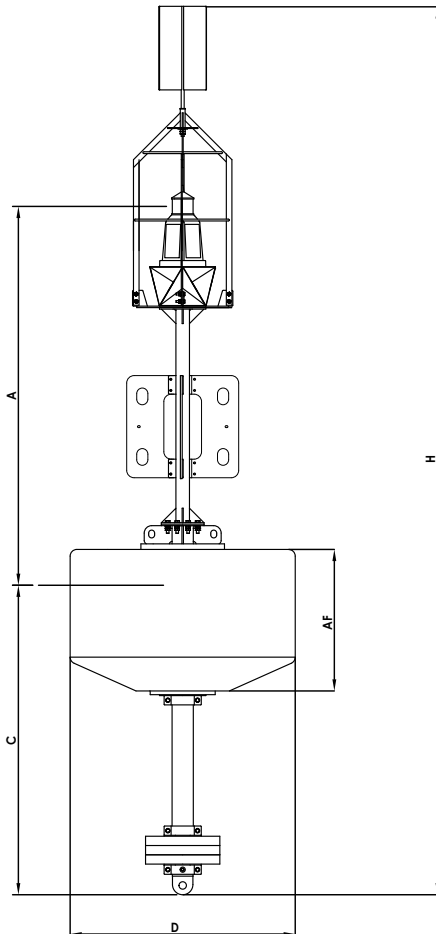
Features:

- Float manufactured with closed-cell polyethylene foam sheet (no water absorption) projected with a layer of coloured polyurethane elastomer.
- Chromaticity according to IALA Recommendations.
- Detachable ballast weights for installation in different depths and with different chain sizes.
- Metallic parts (superstructure and tail) from hot-dip galvanized steel as standard, stainless steel or marine aluminium as an option.
- Ready to fit self-contained lanterns.
- High resistance to corrosion and UV rays.
- Passive radar reflector of 8 m² RCS.
- Minimum maintenance.
- Manufactured with recyclable materials .
- Designed according to IALA Recommendations.



EBM 10/12

Specifications subject to change without previous notice.



Superstructure

Material:	Hot-dip galvanized steel.
Coating:	UV- and corrosion-resistant polyurethane paint.
Day marks:	Stainless steel.
Top mark:	According to IALA Recommendations.
Radar reflector:	8 m ² (X Band).
Lifting eyes:	2 nos.
Hardware:	Stainless steel.

Float

Diameter:	From 1 to 1.2 metres.
Material:	Closed-cell polyethylene foam sheet.
Coating:	Projected with a layer of coloured polyurethane elastomer, UV resistant.
Top surface:	Anti-sliding.

Tail

Material:	Hot-dip galvanized steel.
Ballast weights:	Treated steel, detachable.
Mooring eye:	1 no.
Protection:	Sacrifice anodes.

Options

- Superstructure made from stainless-steel or marine aluminium.
- High-visibility day marks.
- Cast-iron ballast weights.
- Skirt or short tail available.
- Other float volumes available under request.

	(D) Float diameter (*)	(A) Focal height (*)	(AF) Float height (*)	(C) Draft
EBM 10	1.0 m	1.7 m	730 mm	1,350 mm
EBM 12	1.2 m	2.0 m	730 mm	1,350 mm

	(H) Total height (*)	Float volume (**)	Total weight	Max. chain
EBM 10	4,000 mm	500 l	250 kg	250 kg
EBM 12	4,300 mm	750 l	330 kg	350 kg

*Other diameters and heights available under request.

**Other volumes available under request.



Mediterráneo Señales Marítimas, S.L.

Pol. Ind. Mas de Tous - C/ Oslo 12
46185 La Pobla de Vallbona - Valencia SPAIN

+34 96 276 10 22

msm@mesemar.com

www.mesemar.com

