

LED OBSTAFLASH INTEGRATED

The LED OBSTAFLASH medium intensity is a white, red or dual color flashing obstruction light with 48 Vdc driver inside the flashhead.

Compliant with by ICAO medium intensity type A and B (2013 edition), FAA L864/L865 (AC 150/5345-43G).

Certified by Intertek (AC 150/5345-43G) : 113723UI, 113724I, 113725UI.



Flashhead with integrated 48VDC power supply
 Patent : EP 1966535B1 & US 7816843

Flashhead

- 6 led replaceable projectors
- Aluminium and glass envelope
- Modular design
- Easy maintenance
- Precise optic , low led current for optimal lifetime
- Integrated 48 VDC power supply inside the flashhead (113723UI, 113724I, 113725UI)
- Luminous indicator for each led circuits
- No losing part
- 48 Vdc surge protection included
- Test button and luminous indicators

Power cabinet

- Available in 120 /230 Vac
- Surge protection
- Automatic day/night switch with photocell
- Test button for day and night
- Modular design
- Two side lights in option, low intensity type
- Alarm contact
- Master/slave configuration for multiple lights synchronization



MAIN CHARACTERISTICS

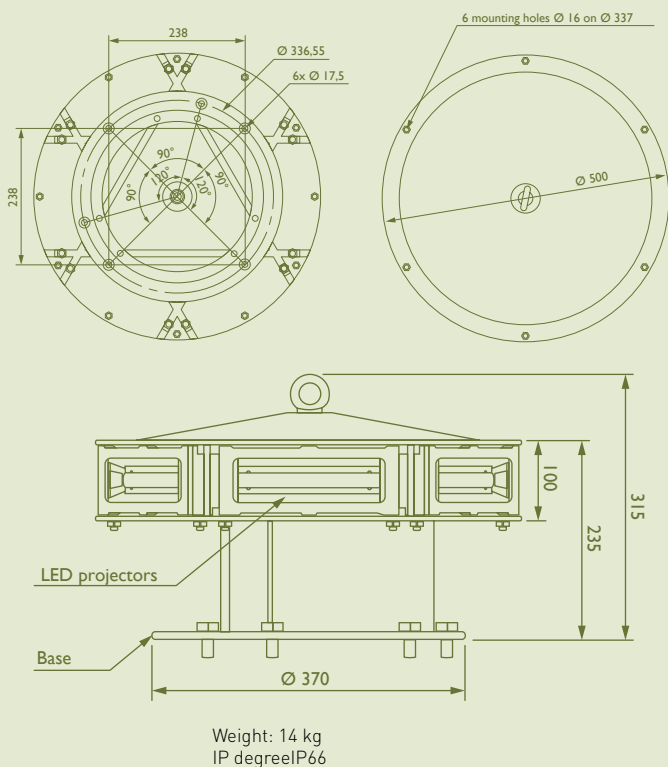
Main characteristics	Effective Luminous output on site at 0°		Color		Beam Spread		Flashes per minute
	Day	Night	Day	Night	Vertical	Horizontal	
Red only (L864)	20 000 Cd	2000 Cd		Red	> 3°	360°	40
White only (L865)	20 000 Cd	2000 Cd	White	White			
Dual color (L865/L864)	20 000 Cd	2000 Cd	White	Red			

Main characteristics	Color	Part number Flashhead + Power cabinet	Part number 48 VDC flashhead only	Part number DC power cabinet powered through 110 VAC to 240 VAC	Average wattage including power supply @ 40 flashes/minute
Medium intensity type B L864	Red	113724I	113790	113795	8 W
Medium intensity type A L865	White	113723UI	113791U	113796U	55 W
Medium intensity Type A&B L865/L864	Dual color	113725UI	113792U	113797U	55 W

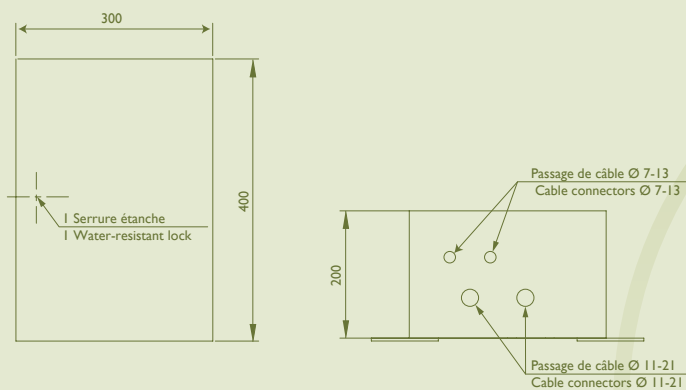
ADDITIONAL FEATURES

WEIGHT AND DIMENSIONS (in mm)

Flashhead



Control cabinet



SETS COMPOSITION

IP degree for power cabinet	65 in vertical position
Operating temperature	-30° to +55°C
Input voltage	110 VAC to 240 VAC +/-10% 50 to 60 Hz
Cable entry for flashhead, power supply, photocell and alarm	4 nickel plated brass

OPTIONS

- GPS module for wireless synchronization in case it is not possible to connect the lights by wires part number 113746, see page 55
- Photocell part number 100755, see page 52
- The stainless power cabinet is also available with batteries for 12 hours back-up. In this case the part numbers of the flashhead and its cabinet are:

	P/N of 48 Vdc flashhead only	P/N of cabinet with 12 hours back-up
Red only L864	113790	113509
White only L865	113791U	113509I
Dual color L865/L864	113792U	113509I

However external 48VDC battery cabinet as described page 50 and 51 can also be used.

