



OBSTRUCTION LIGHTS MEDIUM INTENSITY LED

SMIB TYPE B – RED FLASH

01. DESCRIPTION

The LEDEO SMIB is a medium intensity light with multi-LEDs technology, developed with a zamac design for a natural fresh cooling system. Dedicated to a night beaconing, it is a long life time system (100 000 hours), very strong with a low consumption (6W with 20 flash/minute). The LEDEO SMIB is provided with a photocell for an automatic switch ON/OFF, and a dry contact for failure alarm. Moreover, it can be solar power supplied. It has been designed for an easy installation.

02. ADVANTAGES

- Integrated synchronization wired, optical fiber, GPS and TCP/IP available
- Long life time > 10 years
- Multi-LEDs
- Low consumption 6W (20 flashes/minute)
- Delta Box exclusive self-test included with photocell
- No maintenance
- 2 years warranty
- Zamac box with epoxy powder painting
- IP66
- Light and compact design for an easy installation
- External LED for diagnostic
- Modulation of consumption according to exterior degrees
- Connection box integrated in the light

03. APPLICATIONS

Rules concerning aircraft beaconing are established by the ICAO (Annex 14, Chapter 6). Medium Intensity lights can be installed on structures from 45 to 150 meters height, with an intermediate level of marking. According to the rules, an uninterruptible power supply cabinet has to be installed to assure 12 hours of beaconing in case of power supply failure.

04. MODELS

REFERENCE	VOLTAGE	PHOTOCELL	DRY CONTACT
SMIB01BB	24-48V DC	Not included	Included
SMIB11BB	24-48V DC	Included	Included
SMIB01MB	110-240V AC	Not included	included
SMIB11MB	110-240V AC	Included	Included



REGULATIONS

- ICAO compliant
- CE
- FAA Compliant L-864

SCOPE OF APPLICATIONS



Crane



Building



Stack



Pylon



Structure

05. CHARACTERISTICS

LUMINOUS

Luminous source	LEDS
Color	Red flashing
Horizontal beam	360°
Vertical beam	3°
Luminous intensity	2 000 Cd
Flash frequency	20 to 60 fpm
MTBF	100 000 hours

ELECTRICAL

Voltage	24V DC/48V DC/110-240V AC
Functioning temperature	-45°C to +45°C
Average consumption	6 Watts at 20 fpm
Current Imax	At 48V : I = 1,5 A At 230V : I = 0,32A
Protection class	IP66

MECHANICAL

Box material	Zamac + Composite
Lens material	Polycarbonate
Mounting	M8 screw (Not included)
Height	284mm with the mounting
Width	235mm with the mounting
Weight	5 Kg

ENVIRONMENTAL

Humidity	100%
Frost	-60°C
Wind speed	160 Km/h

CERTIFICATIONS

CE	EN60947-1 CEI60364, NF C15-100 2014 / 35 / UE
OACI	Annex 14, Volume I, Chapter 6
FAA	FAA Compliant L-864
Quality	ISO 9001 ; 2008

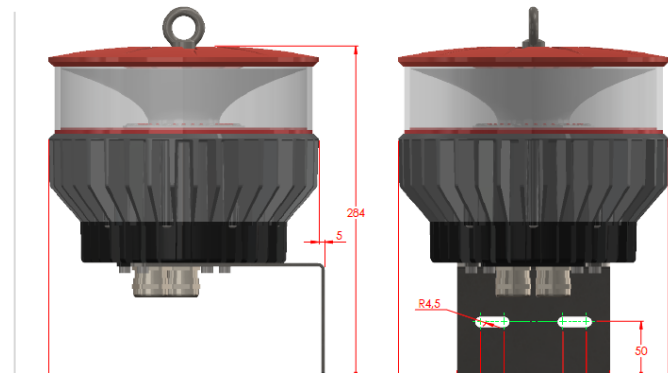
WARRANTY

Warranty period	2 years
-----------------	---------

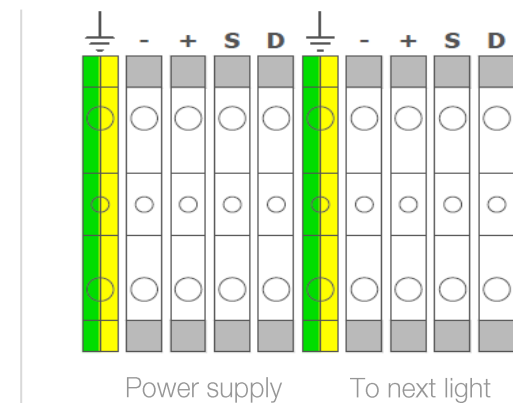
OPTIONS

Photocell	✓
Dry contact for failure alarm	✓
Solar power supply	✓

+ DIMENSIONS



+ WIRING



+ AVAILABLE ACCESSORIES FOR INSTALLATION

- Power supply
- UPS System
- Solar kit
- Iron plate and thread rod