

OM2C-D LED Based Medium Intensity Obstruction Light

OM2C-D is a new generation medium intensity OB light. It comes with compact-size and light-weight, which makes installation job nice & easy.

OM2C-D Series

Peak Intensity	2000cd, steady
----------------	----------------

The optical part is based on Fresnel lens, a transformed convex lens which can concentrate light to a small specific angel. Fresnel lens is often used to design obstruction light.

The light's ingress protection level is IP67, assures the light is well sealed to stand harsh environment include the ocean. If work with control box, more functions like synchronization could be realized. GPS or GPRS functions also available if needed.

Medium intensity light OM2C-D is for tower taller than 45m. It should be used either alone, or in combination with low-intensity light type B (our OL32).

The light comes with a plug type connection, which makes installation nice & easy. When the light has a built-in alarm relay, one more plug will be added to the base (alarm function needs 2 core shielded cable). A junction box that mounted on the double bracket has a PCB who can auto transfer to the standby light in case of failure of the service light, in "service+standby" mode.

Features

- Unique optical design complys with ICAO regulation
- Aluminum head provides good thermal performance
- Better shock-resistant perform than Xenon
- Longer lifetime expectancy
- Almost maintenance free
- Lower voltage (than xeon) makes it safer for installer
- Cost effective in long run
- 5 years warranty

Application

- Telecomm tower
- Radio tower
- Wind turbine
- Somke stacks & chimney

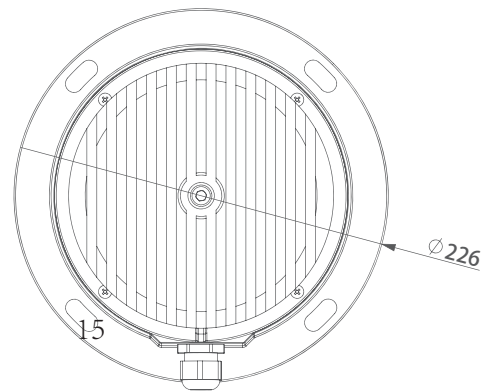
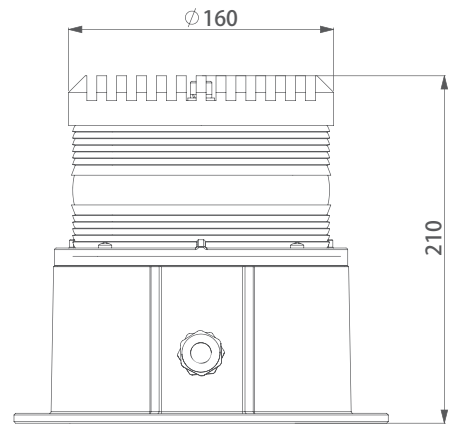
Standard

- ICAO Annex 14, 4th Edition, July 2004



Specifications

LIGHT OUT-PUT	
Peak Intensity	2000 Candela
Vertical Divergence	-1° 450cd, Centering at 0.5°
Horizontal out-put	360 Degree
LED Color	Red
LED Lifespan	100,000 Hours
OPERATION	
Flash Pattern	Steady-burning
POWER SUPPLY	
Input voltage	110VAC - 220VAC, 24VDC, 48VDC
Frequency	50Hz - 60Hz
Rated consumption	40W (service+standby) 80W (service+service)
MECHANICAL STRUCTURE	
Lens	Polycarbonate, UV Stabilize
Body	Die-casting Aluminum
Water-proof	IP67
Weight	12 KG
Temperature Range	-40 - +55
Relative humidity	100% with condensation
Dimensions	210mm H, 226mm Diameter (for one lamp)
Warranty	5 years
Optional	Available with built-in photo sensor Available with built-in alarm relay



Order Codes

Series	Steady/ flashing	AC/DC	Voltage	Photo sensor	Alarm relay	Pattern(For double light only)
OM2C-D	C (steady)	A	12	P	R	ST
	B (flashing)	D	24			SS
			48			
			110			
			220			

 ① ST: "Service+Standby"

 ② SS: "Service+Service"

For example, OM2KBD24 means a DC 24V power supply, flashing Medium intensity beacon.

