

COMPLIANCE WITH

- ICAO Annex 14, Volume I, Obstruction Light Medium Intensity Type B&C
- FAA AC No. 150/5345-43, L-864
- DGAC Mexico

APPLICATION

- Telecommunication Tower
- TV/Radio Tower
- Transmission Tower
- High-rise building
- Industrial Chimney
- Cooling Tower
- Tower Crane
- Bridge
- Wind turbine
- Airport
- Oil&Gas offshore platform

DESCRIPTION

F864 is a ICAO certified red LED medium intensity 2000 candela obstruction light, generally combined with low intensity obstruction lights used on tall structures more than 45 meters.

28 pcs ultra-bright Germany made OSRAM LEDs combined with high-efficient optical Fresnel Lens, which concentrates light beam to a small specific angle to meet ICAO medium intensity type B&C and FAA L-864. Excellent heat dissipation system protects LEDs from overheating which is a tremendous benefit to expand lifespan.

F864 red medium intensity LED obstruction light can work either with REDDOT controller for external controlling and monitoring or come with self-controlled configurations (photocell, alarm contacts, GPS, GPRS) to work independently as an economical solution.

FEATURES

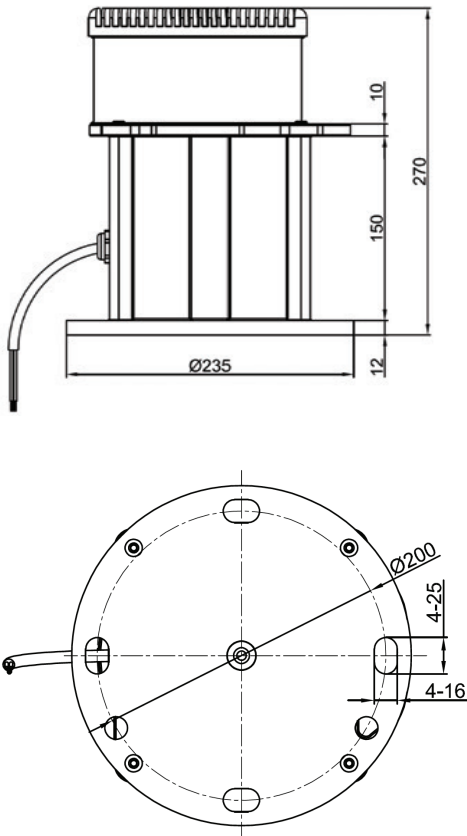
- Super-bright OSRAM LEDs reliable light source ensures long lifespan
- Optimized optical Lens design provides excellent optic distribution for complying ICAO medium intensity type B&C and FAA L-864
- Internal LED driver and constant current regulator make the light illuminate steadily
- Internal Power supply module efficiency up to 90% without needing extra power supply
- 94% energy saving of traditional 100W incandescent power consumption
- Aluminum heatsink provides excellent thermal dissipation performance
- Aluminum base with powder painted provides good weather and corrosion resistant
- Protective vent for balancing pressure and prevent from water condensation
- Excellent shock and vibration resistant
- GE polycarbonate optical lens, UV-stabilized
- Acrylic outer lens, UV-stabilized, high temperature resistant
- Built-in 20KA surge protector module to protect the light from induction lightning strike
- With a handler on light shoulder make carry easier
- Prewired cable makes wiring job easier
- Polarity reverse protection
- Overvoltage protection and short-circuit protection



TOP VIEW



BOTTOM VIEW

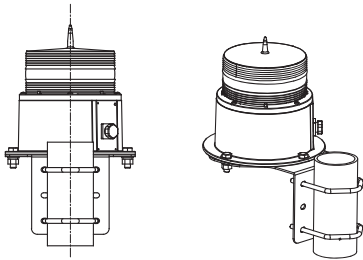


SPECIFICATION

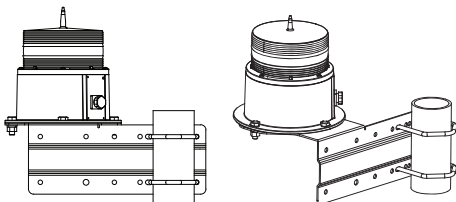
LIGHT OUTPUT	
Effective Intensity	2000cd±25%
Vertical beam	3.5°
Horizontal Spread	360°
Light Source	Osram LEDs
LED Color	Red
LED Lifespan	100,000 Hours
OPERATION	
Flash Pattern	• Steady burning • Flashing 20–60FPM
POWER SUPPLY	
Input Voltage	85–265VAC,50/60Hz; 48VDC;24VDC;12VDC
Power Consumption	40W
MECHANICAL STRUCTURE	
Lens	Polycarbonate, UV Stabilized
Body	Die-casting Aluminum
Mounting	Four 16*25mm slot holes on bottom 200 mm PCD
Protection	IP67
Net Weight	6KG
Temperature	-40C°~+80C°
Relative Humidity	100% with condensation
Dimension(W*H)	235mm*270mm

BRACKET OPTIONS

AMP3080



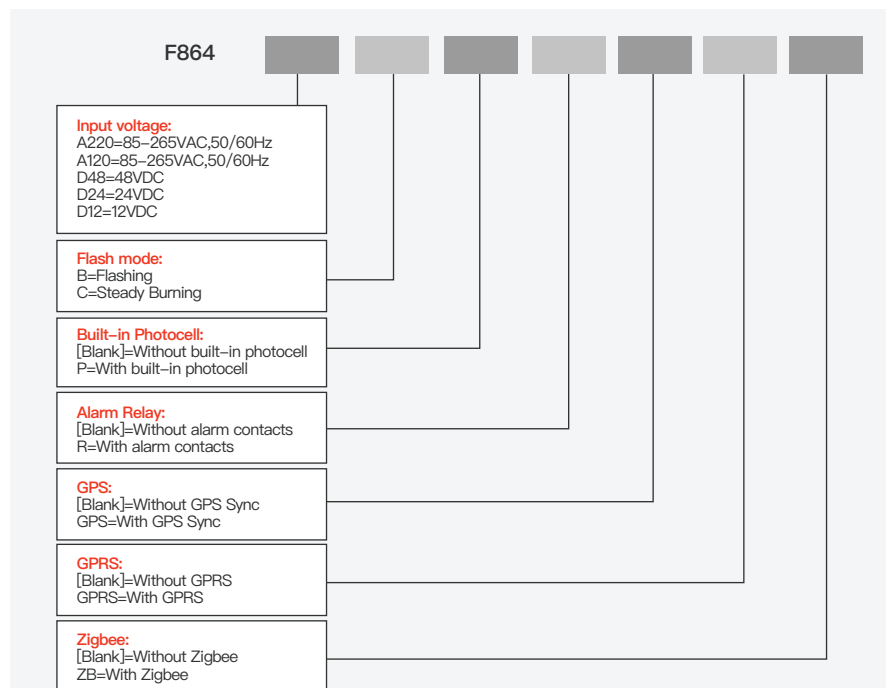
AMP30150



AMP3080: Mounting bracket for diameter 30–80mm vertical or horizontal angular or tubular structure.

AMP30150: Mounting bracket for diameter 30–150mm vertical angular or tubular structure.

ORDERING CODE



For example:

- F864A220BP=LED medium intensity obstruction light, 85–265VAC, red flashing 2000cd, with built-in photocell